



The new Mini Allterrain Excavator.

Engine

Kubota Diesel engine
3-cylinder, water cooled
Displacement 1'123 ccm
Output max. 24 PS (17.6 kW)
governed to 21 PS (15.8 kW) @
2'400 rpm

Hydraulic system

3-circuit-system
Total capacity 48 l/min.
Auxiliary hydraulic connection
Working pressure 180 bar

Swing

Hydro engine with planetary gear
Multi-disc brake with brake pressure
valve
Slewing speed 9 rpm

Electrical equipment

12 volts
Alternator 1.0 kW
Battery 60 Ah

Traction

Hydrostatic wheel hub drive
Speed up to 2.6 km/h
Multi-disc brake
Mechanical uncoupling of traction

Measurements

Weight 1'900 kg
Excavation depth max. 2'600 mm
Jib Range max. 4'600 mm
Dipper length 500 mm
Transport width 3'800 x 980 mm
Transport height 2'500 mm



Forces

Ripping force 18.kN
Breakout force 11 kN

Standard equipment

Protective roof ROPS-tested
Armrests with control lever
Euro-Control
Hydr. telescope dipper 500 mm
Mec. telescope feet (3 positions)
Working headlights
Hydraulic chassis control cpl.

Options

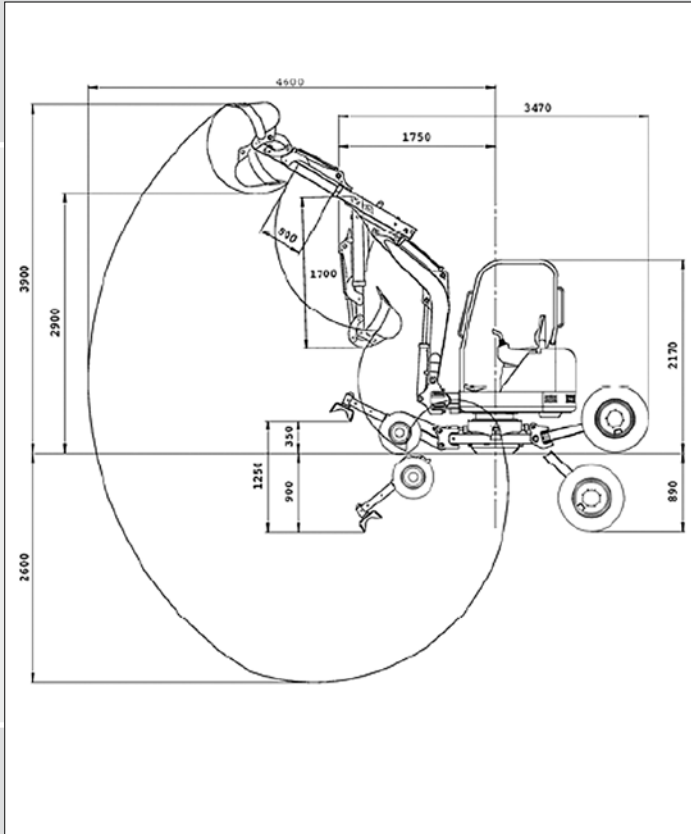
Cab
Customer paint colour

Accessories

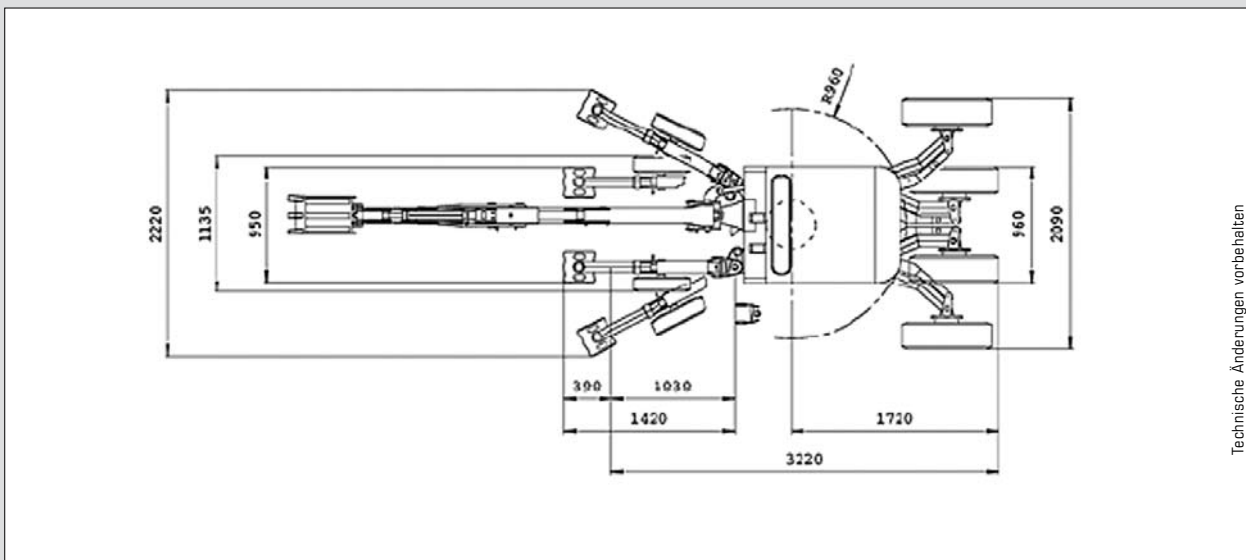
Bucket 300 mm
Bucket 400 mm
Bucket 500 mm
Bucket 600 mm
Hydraulic grading bucket
Rigid grading bucket
Powertilt swivel head (BG 06)
Mechanical quick hitch SWM-010
Hydraulic hammer
Universal grab UG-04



Measurements and Dimensions



Excavation height	3'900 mm
Excavation depth	2'600 mm
Discharge height	2'900 mm
Jib Range	4'600 mm
Smallest swivelling radius	1'750 mm



Technische Änderungen vorbehalten